

DECK BOLLARDS – DOUBLE BITTS

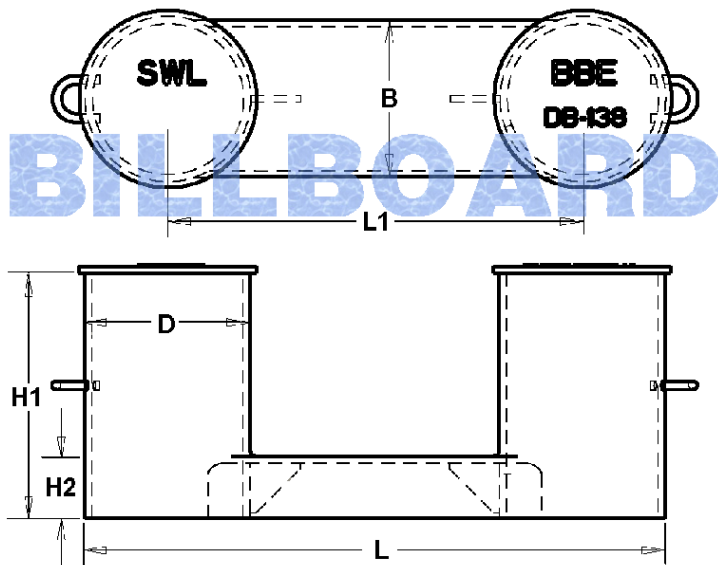
DECK BOLLARDS – DB-138

Product Code: AE-1138

Nominal Dia. (mm)	Dimensions (mm)						Max. B.L. of Rope (Ton)	Mass (kgs)
	B	D	H1	H2	L1	L		
100	114	114	150	75	250	364	3	16
125	140	140	190	80	315	455	4	24
160	168	168	250	90	400	568	5	38
200	219	219	300	100	500	719	10	60
250	273	273	380	125	630	903	12	101
315	324	324	480	150	800	1124	20	197
355	355	355	530	165	890	1245	26	260
400	406	406	600	175	1000	1406	32	371
450	457	457	680	190	1130	1587	39	473
500	508	508	750	200	1250	1758	52	635
560	530	559	830	210	1400	1960	56	930
630	610	610	940	225	1570	2180	62	1162
710	711	711	1050	250	1750	2461	82	1509
800	813	813	1200	275	2000	2813	100	2081

For Mooring -- Bollard suitable for Wire or Rope with Breaking Load (BL) when cross belayed on the Bollard.
 For Towing -- When belayed on one bitt only approximately 2 x BL is valid.
 Bollard scantlings per ISO 3913 and equivalent to DIN 82607 NS 2584.

DB-138



Bollard with Wrapping Roller

