

**FAIRLEADS – TRIANGLE TOWING CHOCK**

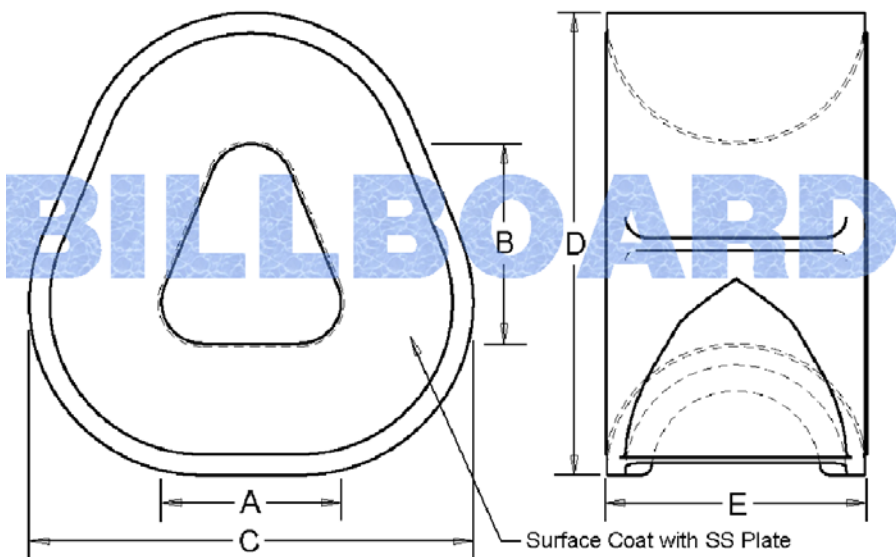
**TRIANGLE TOWING CHOCK**

Product Code: AE-2402

Nominal Size (mm)	Dimensions (mm)					Mass (kgs)
	A	B	C	D	E	
348 X 388	348	388	860	900	506	540
420 X 440	420	440	730	800	560	640
430 x 580	430	580	680	830	588	780

Remark : 1. For Towing on Deck with Bitt.  
 2. Surface with SS 316 Protection.

**AE – 2402**



**Triangle Towing Chock with Bitt**

