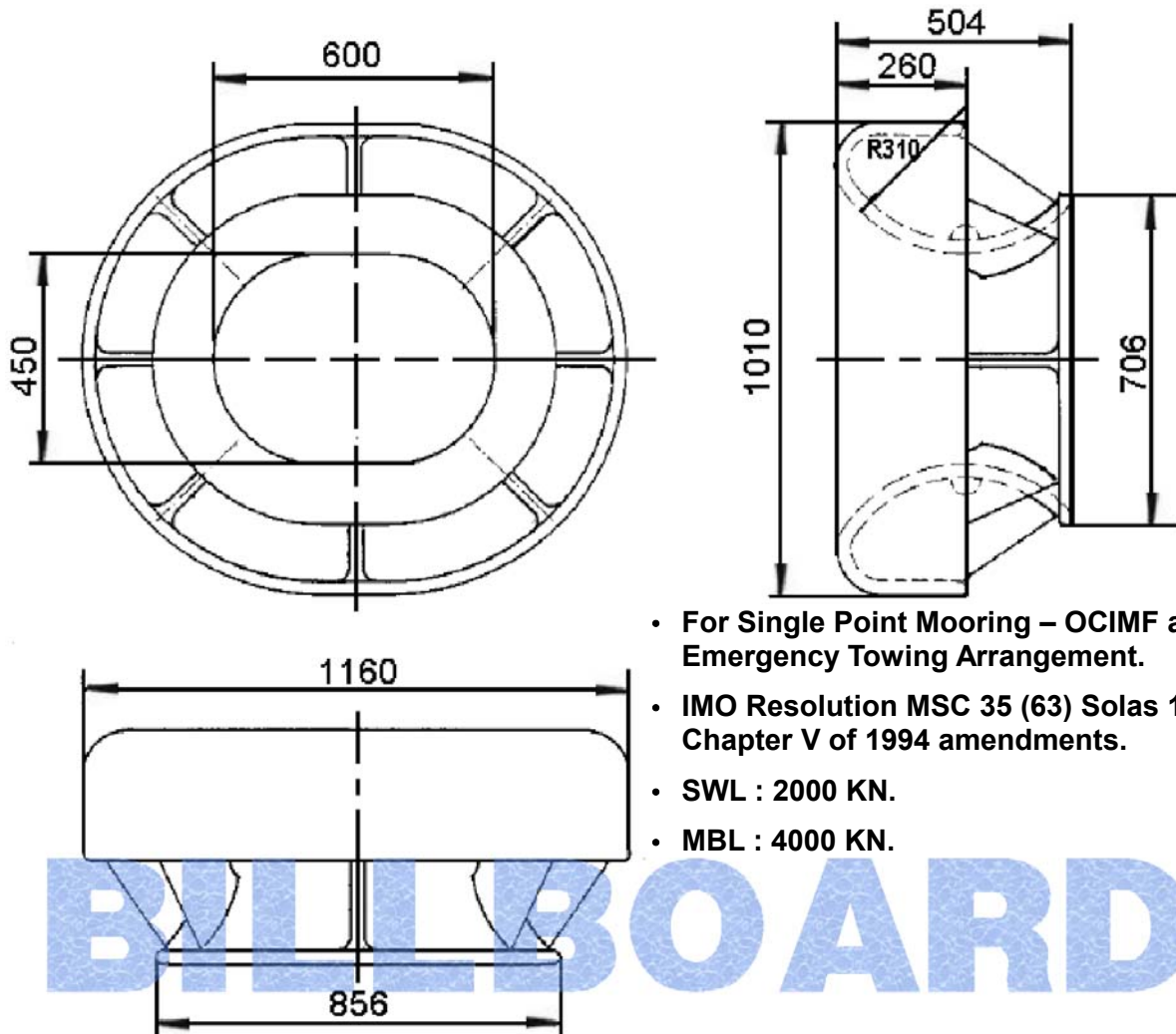


**FAIRLEADS – CHOCK (TW TYPE)
– BULWARK MOUNTED & DECK MOUNTED**

BULWARK MOUNTED (FOR ETS WITH CLASS TYPE APPROVAL CERTIFICATE)



- For Single Point Mooring – OCIMF and Emergency Towing Arrangement.
- IMO Resolution MSC 35 (63) Solas 1974 Chapter V of 1994 amendments.
- SWL : 2000 KN.
- MBL : 4000 KN.

DECK MOUNTED (FOR ETS WITH CLASS TYPE APPROVAL CERTIFICATE)

