

DOCKSIDE MOORING BOLLARD

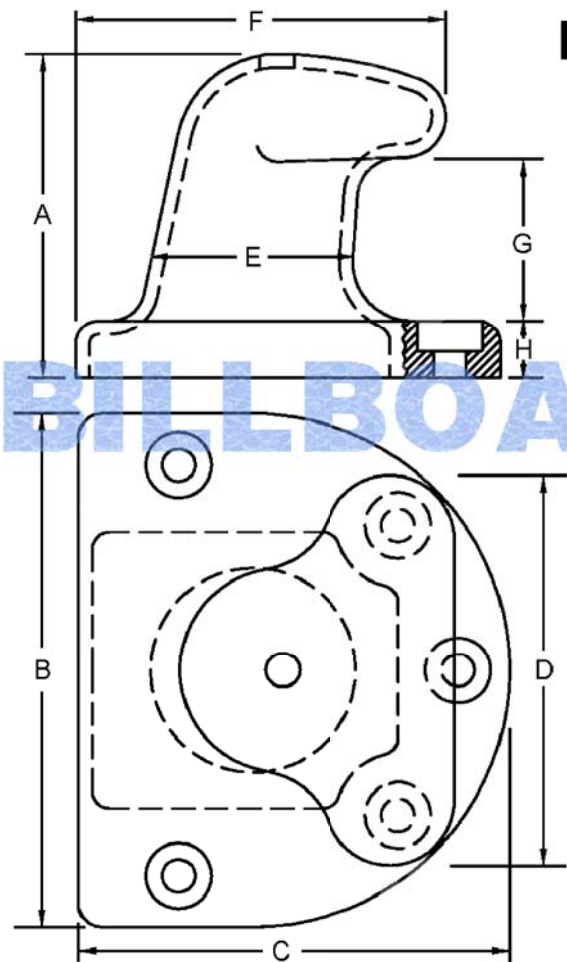
DOCKSIDE BOLLARD – BR TYPE

Product Code : AE-1010

Nominal Size (Ton)	Dimension (mm)								No. of Bolts	Pull Load (Ton)
	A	B	C	D	E	F	G	H		
10	260	375	315	285	150	275	127	55	5 X 20	10
15,20	330	500	420	380	200	367	160	65	5 X 24	15,20
30	405	625	525	475	250	457	200	75	5 X 36	30
50	480	750	630	570	300	549	240	85	5 X 42	50
60,75,80	555	875	735	665	350	642	280	95	7 X 48	60,75,80
100,125	620	950	800	720	380	699	304	120	7 X 48	100,125
150	749	1080	902	910	480	780	349	150	8 X 52	150
200	861	1240	1040	1047	560	900	403	172	8 X 64	200
300	892	1368	1152	1037	547	1019	402	185	7 X 76	300

- Remark: 1. MBL of Bollard = 3 x Pull Load; Proof Load = 1.5 x Pull Load.
 2. Can be supplied in cast iron, spheroidal graphite iron and cast steel to International Standards.
 3. Supplied with a hole in the top to facilitate filling with grout and would be recommend this practice.
 4. Use of break off bolts has been introduced for Bollard anchorage and whilst increasing the cost of anchorage system, more advantages when usage.
 5. Operating at angles from horizontal to 60° above, and are if 180° with 3 safety factor.
 6. Installation drawing available as request.

BR Type



BillBoard Engineering Co. Ltd.
 Room 1106, Entrepot Centre,
 117 How Ming Street, Kwun Tong, Hong Kong.
 Tel No. (852) 2797 3972 / Fax No. (852) 2304 7011
 Web Site : <http://www.billboard.com.hk>
 E-mail : emil@bbeng.com

