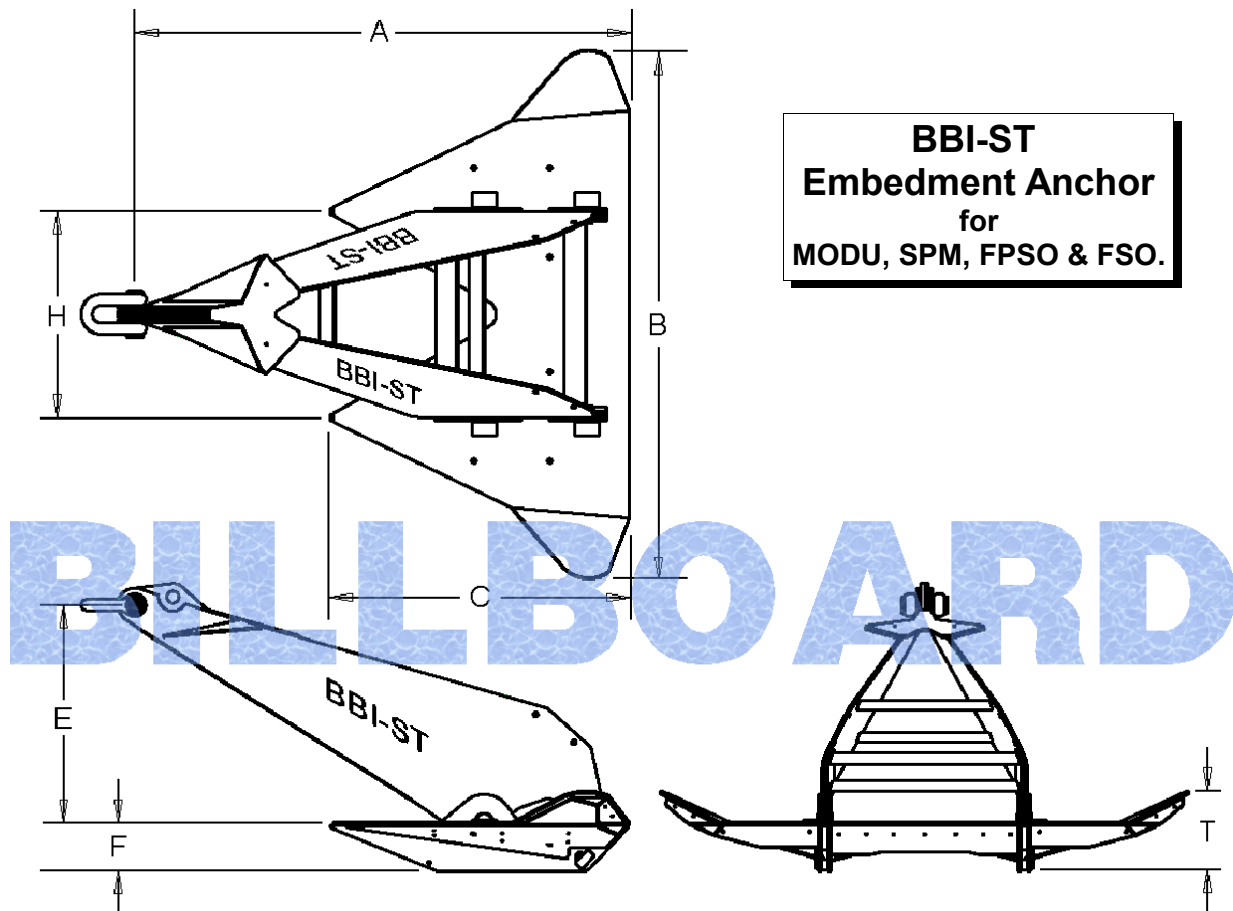


ANCHOR DIMENSION

BBI-ST EMBEDMENT (U.H.C. ANCHOR)

Anchor Weight (kg)	Dimensions in mm						
	A	B	C	E	F	H	T
1,500	2954	3184	1812	1302	271	1230	493
3,000	3710	3968	2298	1635	338	1553	581
5,000	4412	4756	2707	1944	406	1837	738
8,000	5161	5563	3166	2274	474	2149	862
10,000	5559	5992	3410	2450	511	2315	929
12,000	5835	6243	3530	2568	576	2436	929
15,000	6352	6774	3838	2785	625	2648	1027
18,000	6763	7290	4149	2980	632	2816	1131
20,000	7004	7550	4297	3087	644	2917	1171
22,000	7230	7794	4436	3186	665	3011	1209
25,000	7545	8133	4629	3325	694	3142	1262
30,000	7971	8591	4919	3495	732	3339	1337

Remark: Approximate Weight and Dimension for reference only.



1. Advance Design to reach the Ultimate Holding Capacity.
2. Deep Penetration with plough shaped shank, streamlining design means less resistance to penetration and retrieval.
3. Hollow Anchor Fluke can be ballasted.
4. Rigid construction allow high point loads on fluke points.
5. Adjustable Fluke/Shank angle in 3 positions:
 - 32° : For sand, stiff clay, hard bottom soil.
 - 41° : For medium clay, loose or medium dense.
 - 52° : For mud, soft soil.
6. Weight upon to 40,000 kgs with Class Certificate.