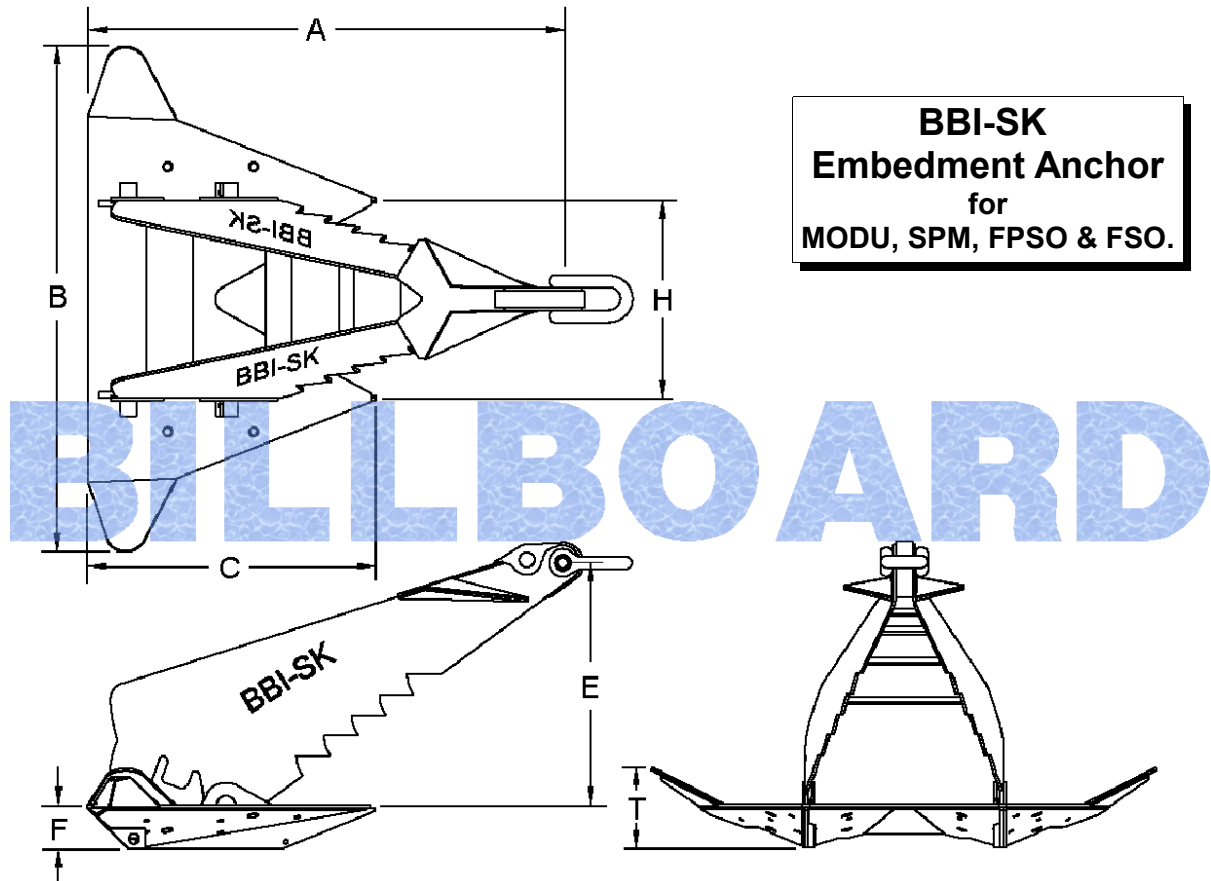


ANCHOR DIMENSION

BBI-SK EMBEDMENT (U.H.C. ANCHOR)

Anchor Weight (kg)	Dimensions in mm						
	A	B	C	E	F	H	T
3,000	3650	3900	2200	1830	328	1512	608
5,000	4288	4616	2620	2186	388	1720	722
8,000	4932	5320	3032	2518	452	2120	844
10,000	5385	5726	3255	2743	495	2243	912
12,000	5835	5810	3530	3143	575	2436	927
15,000	6165	6645	3782	3240	587	2567	1031
18,000	6512	6980	4100	3402	610	2752	1120
20,000	6810	7392	4202	3510	631	2780	1130
22,000	6962	7608	4310	3588	650	2860	1170
25,000	7260	7821	4502	3762	680	3102	1230
27,000	7420	8010	4580	3800	698	3130	1246
30,000	7620	8410	4672	3860	726	3182	1282
35,000	8397	9505	5135	4256	785	3480	1421

Remark: Approximate Weight and Dimension for reference only.



1. Advance Design to reach the Ultimate Holding Capacity.
2. Deep Penetration with plough shaped shank, streamlining design means less resistance to penetration and retrieval.
3. Single Wide-area Fluke, fixed Twin Shank with cutter-toothed edge for better penetration in hard soils sea bed.
4. Hollow Anchor Fluke can be filled with ballast weight upto 30% of the particular weight.
5. Extremely rugged weld-fabricated.
6. High point loads on fluke points, bucket teeth for special condition.
7. Recommended in stiff clays, heterogeneous soil and sand.
8. For Temporary or Permanent Mooring.
9. Adjustable Fluke/Shank angle in 2 positions:
 32° : For sand, stiff clay, hard bottom soil.
 41° : For medium clay, loose or medium dense.
10. Weight upon to 40,000 kgs with Class Certificate.