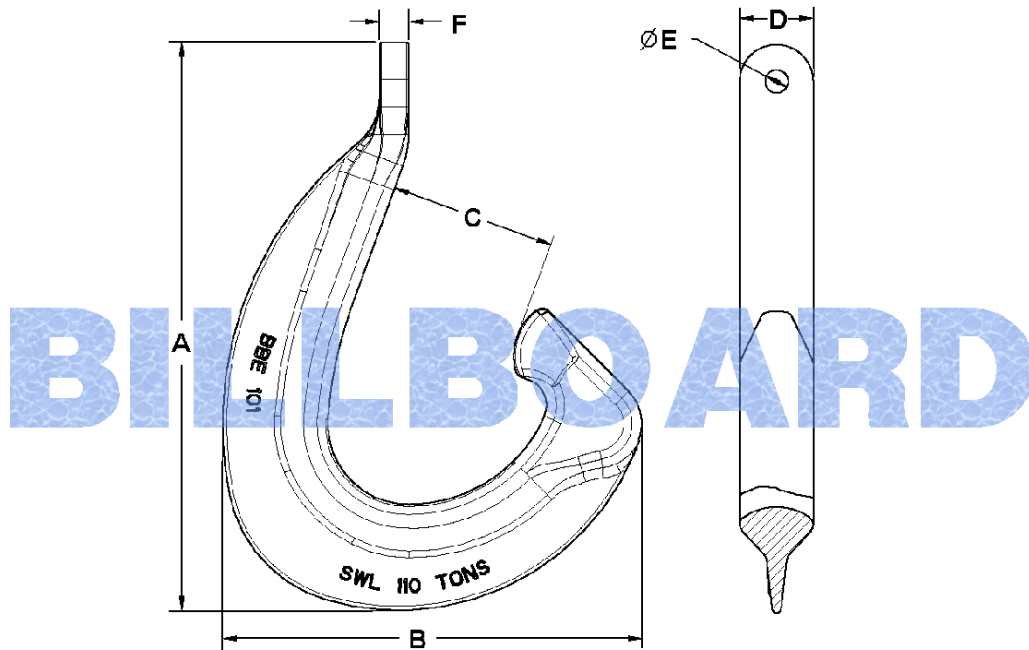


CHAIN CHASER

J CHAIN CHASER – TYPE BBE-101

Pull Load (Ton)	SWL (Ton)	Dimensions in mm						Weight (kgs)
		A	B	C	D	E	F	
200	110	2459	1830	715	332	128	100	2100
400	250	2565	1923	699	457	191	165	3400



CHAIN GRAPNEL – TYPE BBE-109

Pull Load (Ton)	SWL (Ton)	Dimensions in mm							Weight (kgs)
		A	B	C	D	E	F	G	
250	150	1778	1372	1156	1460	120	86	102	1380
400	250	1994	1676	1283	1580	200	144	127	2630

