

FAIRLEADS – UNIVERSAL ROLLERS

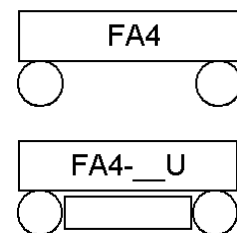
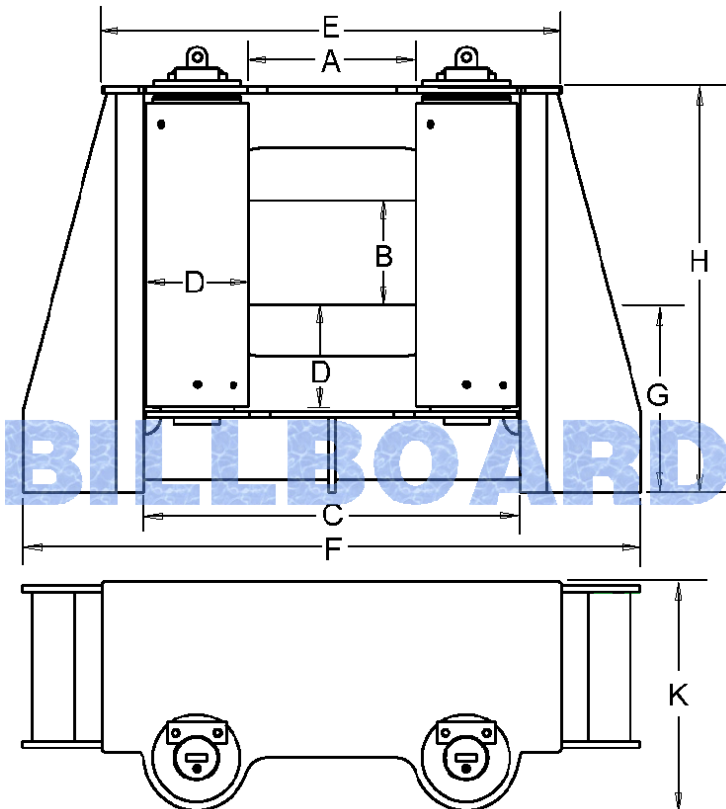
UNIVERSAL FAIRLEAD ROLLER – TYPE FA4 (4 ROLLERS)

Product Code: AE-3304

Type	Rope Dia. (mm)	Dimensions (mm)									Mass (kgs)
		A	B	C	D	E	F	G	H	K	
FA4 – 12	12	180	100	356	80	446	650	160	370	170	75
FA4 – 16	16	230	130	446	100	546	785	200	480	210	120
FA4 – 20	20	250	130	506	120	714	900	250	520	250	180
FA4 – 24	24	280	160	576	140	716	1000	260	590	288	330
FA4 – 32	32	300	200	700	190	916	1185	340	752	415	580
FA4 – 40	40	400	250	900	245	1100	1479	450	970	548	1180
FA4 – 48	48	400	250	1018	300	1214	1700	470	1048	618	2210
FA4 – 56	56	400	250	1116	350	1336	1900	580	1216	710	2980
FA4 – 64	64	500	300	1360	420	1620	2300	720	1475	854	3680

- Remark:
1. Design : For 1 Rope.
 2. Mounting : Free on deck, welding into bulwark.
 3. Bearing : High performance self-lubricating bearing.
 4. SWL, Load Position, Safety Factor and Test Load : Please refer to recommended table (page 1).

FA4 – 4 Rollers



FA4 – __U One Horizontal Roller in lower at outboard side.