

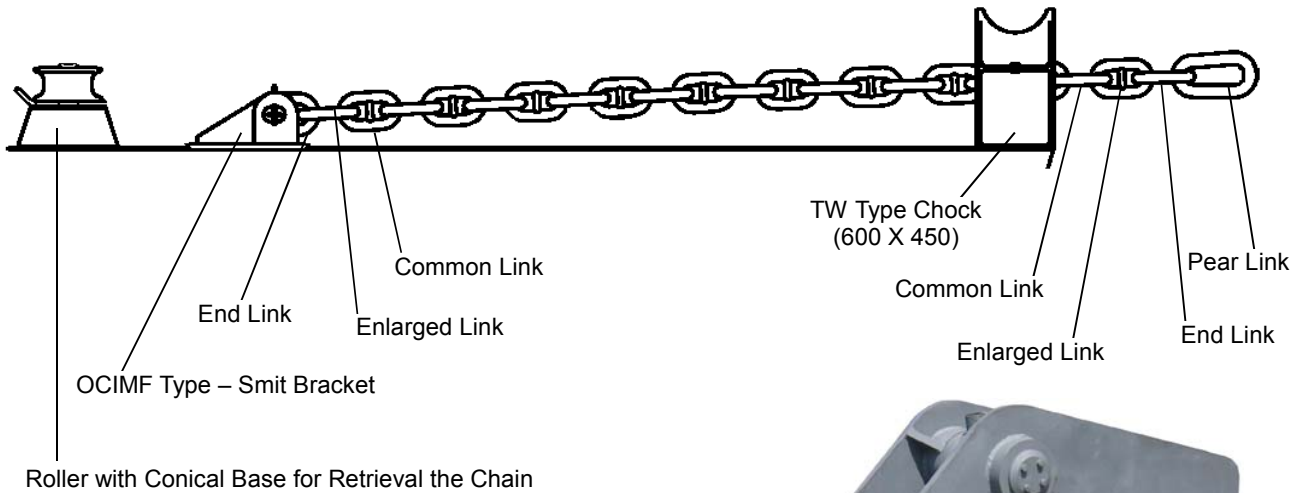
**EMERGENCY TOWING SYSTEM**

**GENERAL ARRANGEMENT FOR FOWARD SHIP (TW-302 & TW-402)**

The designed is accordance with IMO Resolution A535 (13) and MSC 35 (63), MAY 1994 adapted into SOLAS.

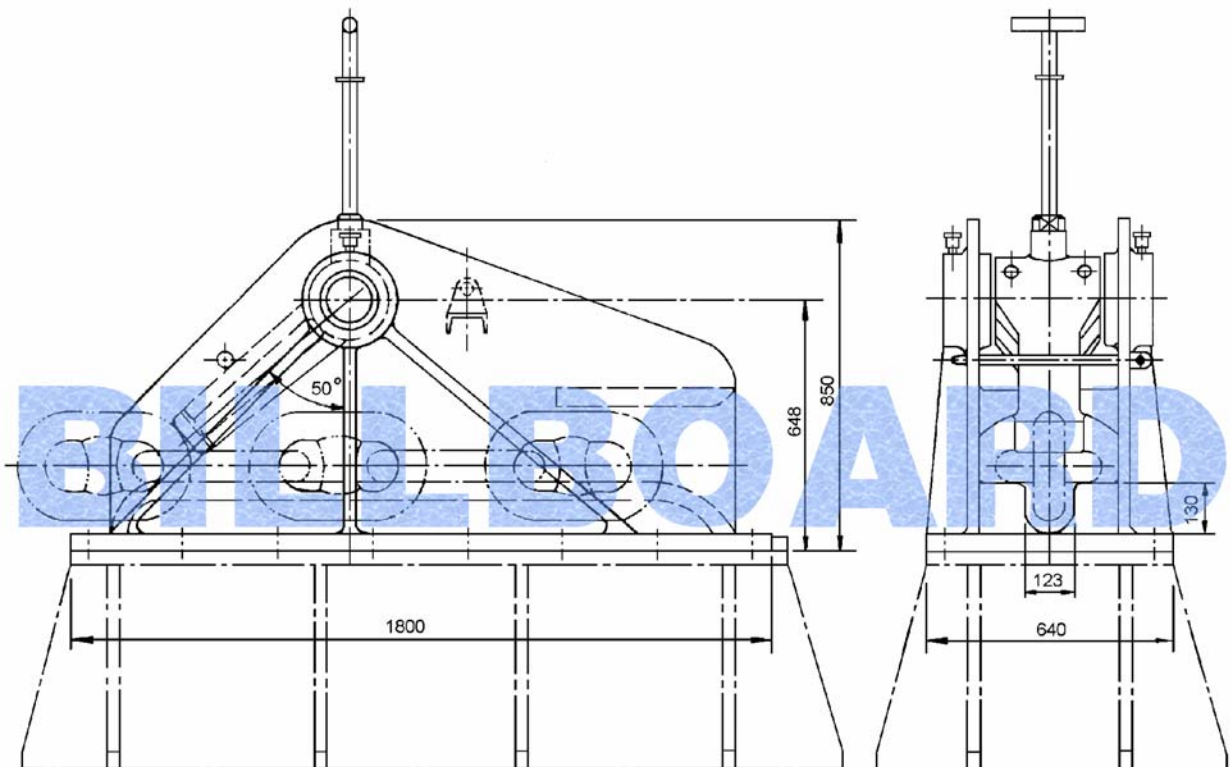
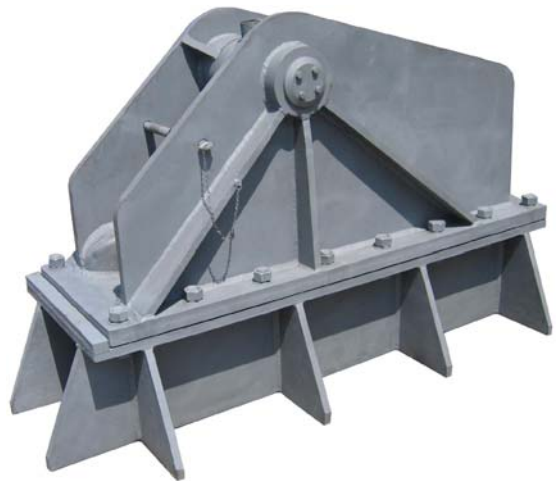
**TW-302 : Ship upto 50,000 DWT**

**TW-402 : Ship above 50,000 DWT**








**CHAIN CABLE STOPPER (OCIMF TYPE)  
 – For Dia. 76mm Chain**


- SWL : 2000 kN
- MBL : 4000 kN
- Option : with Plinth
- With Class Type Approval for ETS and SPM.



**EMERGENCY TOWING SYSTEM**

**EQUIPMENT LIST FOR FOWARD SHIP (TW-302, TW-402 & TW-403)**

Equipment	Model : TW – 302	Model : TW – 402
<b>SMIT BRACKET</b> 	<ul style="list-style-type: none"> <li>• For Dia. 54mm Chafe Chain (Grade 3)</li> <li>• Safe Working Load : 1000 KN.</li> <li>• Min. Breaking Load : 2000 KN.</li> </ul>	<ul style="list-style-type: none"> <li>• For Dia. 76mm Chafe Chain (Grade 3)</li> <li>• Safe Working Load : 2000 KN.</li> <li>• Min. Breaking Load : 4000 KN.</li> </ul>
<b>PANAMA CHOCK</b> 	<ul style="list-style-type: none"> <li>• Bulwark or Deck Mounted.</li> <li>• Nominal Size : 600 x 450mm.</li> </ul>	<ul style="list-style-type: none"> <li>• Bulwark or Deck Mounted.</li> <li>• Nominal Size : 600 x 450mm.</li> </ul>
<b>CHAPE CHAIN</b>	<ul style="list-style-type: none"> <li>• Dia.54mm x 7M Length (Grade 3)</li> <li>• Safe Working Load : 1000 KN.</li> <li>• Min. Breaking Load : 2000 KN.</li> </ul>	<ul style="list-style-type: none"> <li>• Dia.76mm x 8M Length (Grade 3)</li> <li>• Safe Working Load : 2000 KN.</li> <li>• Min. Breaking Load : 4000 KN.</li> </ul>
<b>FAIRLEAD ROLLER</b> 	<ul style="list-style-type: none"> <li>• Dia. 350mm with Conical Base.</li> </ul>	<ul style="list-style-type: none"> <li>• Dia. 400mm with Conical Base.</li> </ul>
<b>** TOWING SHACKLE</b> 	<ul style="list-style-type: none"> <li>• Nominal Size : 64mm.</li> <li>• Safe Working Load : 1000 KN.</li> <li>• Min. Breaking Load : 2000 KN.</li> </ul>	<ul style="list-style-type: none"> <li>• Nominal Size : 76mm.</li> <li>• Safe Working Load : 2000 KN.</li> <li>• Min. Breaking Load : 4000 KN.</li> </ul>
<b>** TOWING PENNANT</b> 	<ul style="list-style-type: none"> <li>• Wire Rope Dia.58mm x 80M, 6x37 IWRC.</li> <li>• With Closed Speltered Sockets.</li> <li>• Working Load : 1000 KN.</li> <li>• Min. Breaking Load : 2000 KN.</li> </ul>	<ul style="list-style-type: none"> <li>• Wire Rope Dia.76mm x 100M, 6x41 IWRC.</li> <li>• With Closed Speltered Sockets.</li> <li>• Working Load : 2000 KN.</li> <li>• Min. Breaking Load : 4000 KN.</li> </ul>

Equipment	Model : TW – 403
<b>CHAIN CABLE STOPPER</b> 	<ul style="list-style-type: none"> <li>• For Dia. 76mm Chafe Chain (Grade 3).</li> <li>• Safe Working Load : 2000 KN.</li> <li>• Min. Breaking Load : 4000 KN.</li> <li>• Plinth for Stopper as request.</li> </ul>
<b>PANAMA CHOCK</b>	<ul style="list-style-type: none"> <li>• Bulwark or Deck Mounted.</li> <li>• Nominal Size: 600 x 450mm.</li> </ul>
<b>CHAPE CHAIN</b>	<ul style="list-style-type: none"> <li>• Dia. 76mm x 8M Length (Grade 3)</li> <li>• Safe Working Load : 2000 KN</li> <li>• Min. Breaking Load : 4000 KN.</li> </ul>
<b>FAIRLEAD ROLLER</b>	<ul style="list-style-type: none"> <li>• Dia. 400mm with Conical Base.</li> </ul>
<b>** TOWING SHACKLE</b>	<ul style="list-style-type: none"> <li>• Nominal Size : 76mm.</li> <li>• Safe Working Load : 2000 KN.</li> <li>• Min. Breaking Load : 4000 KN.</li> </ul>
<b>** TOWING PENNANT</b>	<ul style="list-style-type: none"> <li>• Wire Rope Dia. 76mm x 100M, 6 x 41 IWRC.</li> <li>• with Closed Speltered Sockets.</li> <li>• Working Load : 2000 KN.</li> <li>• Min. Breaking Load : 4000 KN.</li> </ul>

\*\* Optional.

Remark: Length of the Chafe Chain can be as request.